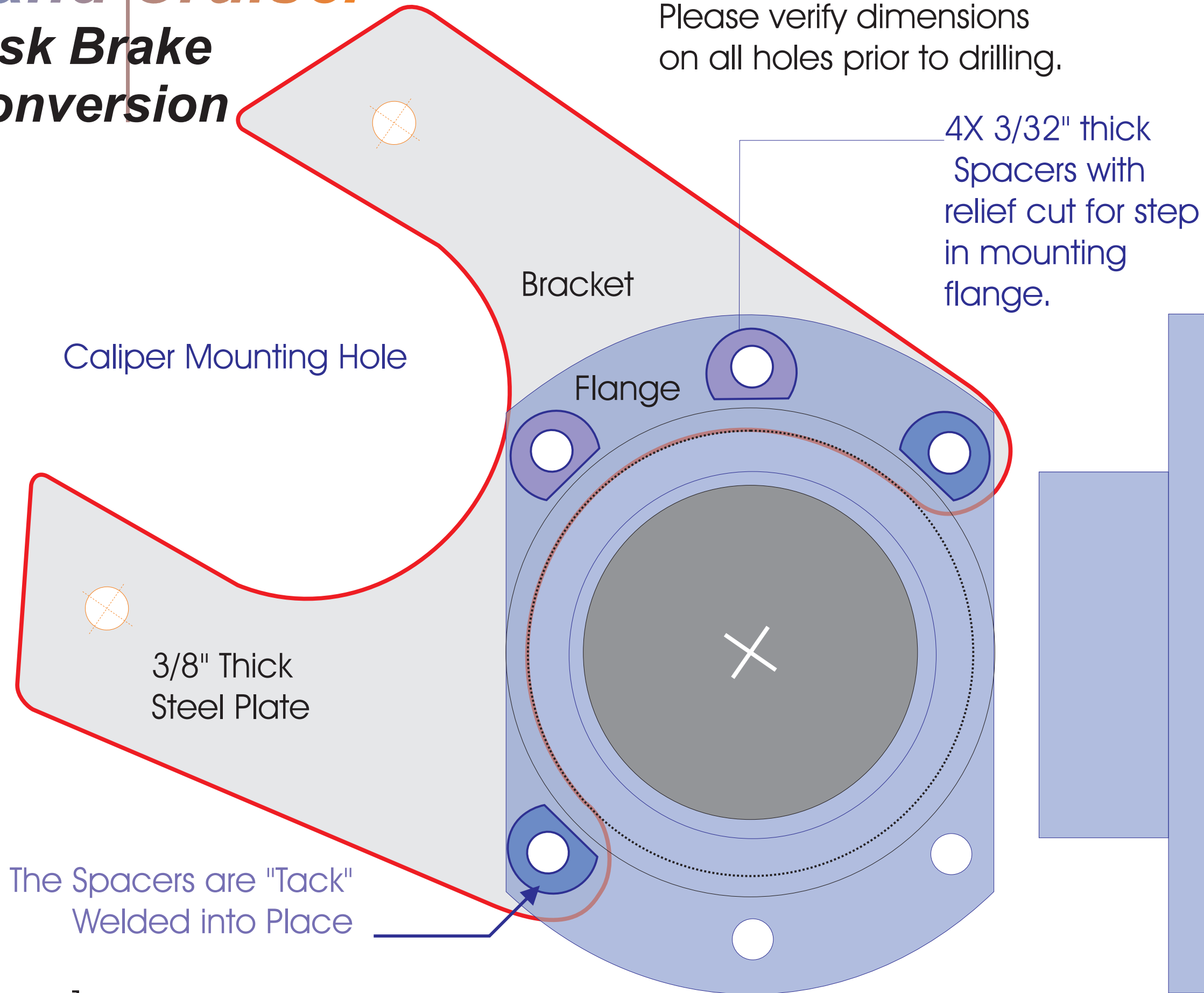
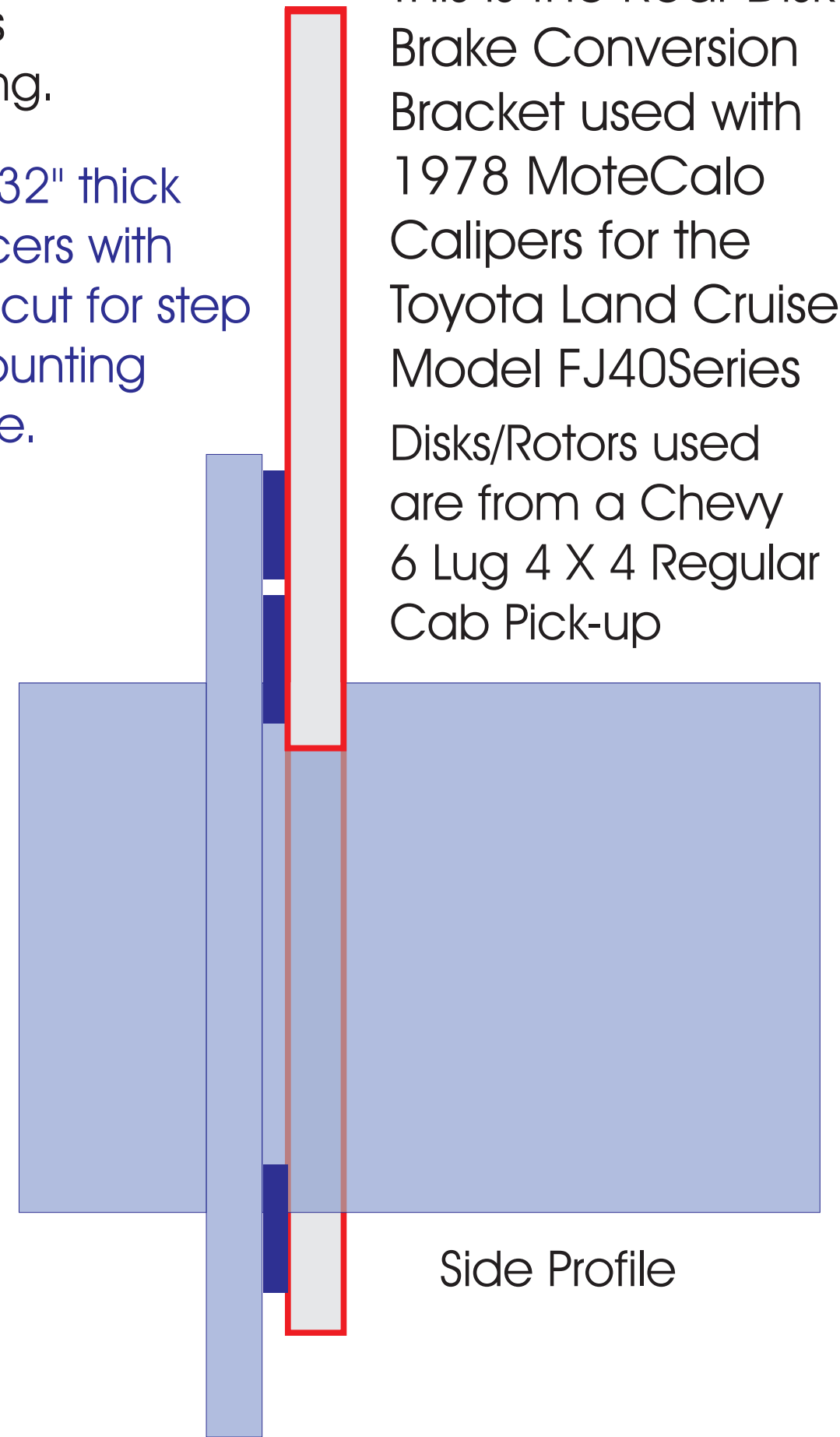


Land Cruiser Disk Brake Conversion

This is drawn to Full scale.
Please verify dimensions
on all holes prior to drilling.

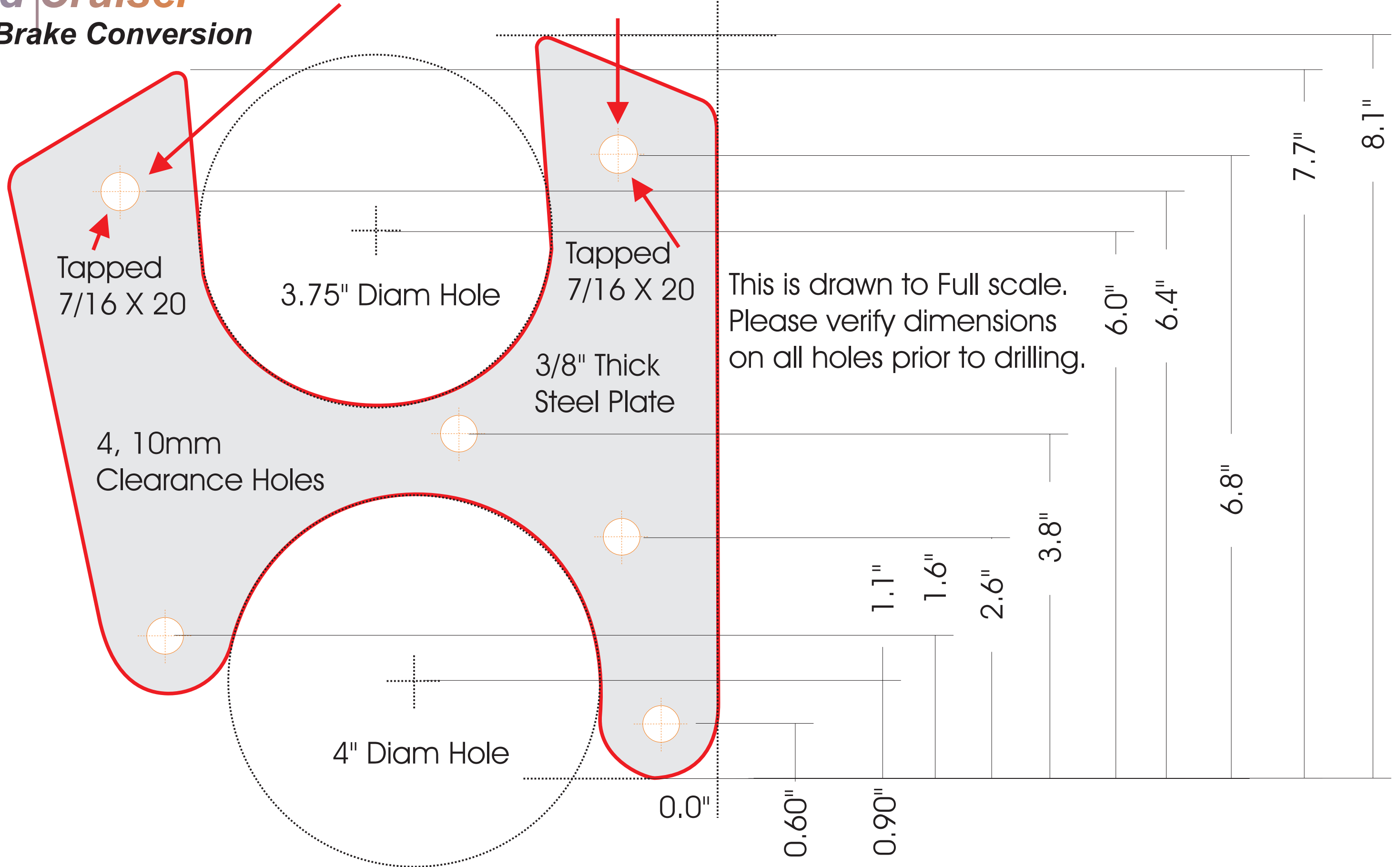


This is the Rear Disk
Brake Conversion
Bracket used with
1978 MoteCalo
Calipers for the
Toyota Land Cruiser
Model FJ40Series
Disks/Rotors used
are from a Chevy
6 Lug 4 X 4 Regular
Cab Pick-up



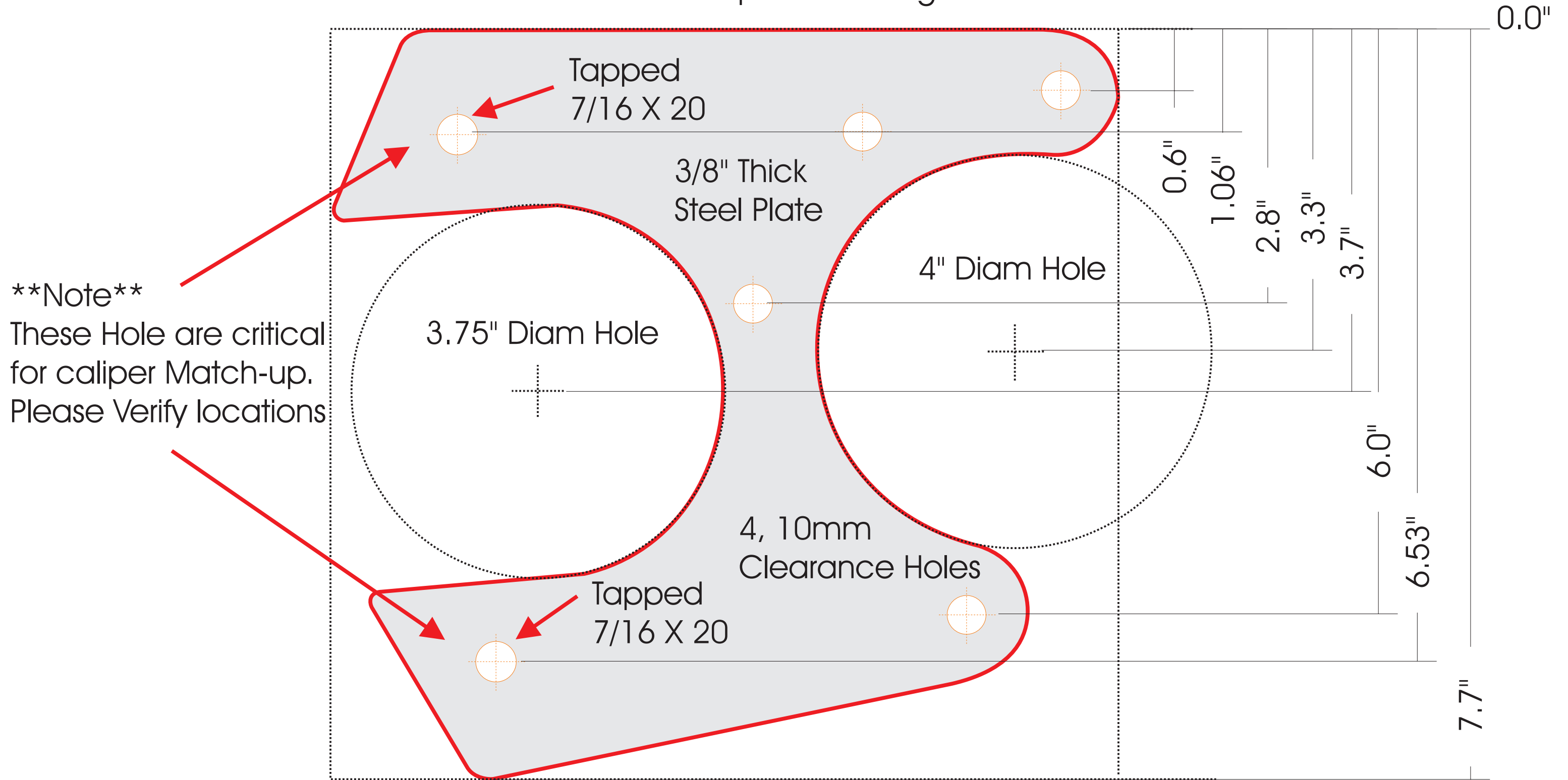
Land Cruiser Disk Brake Conversion

****Note**** These Hole are critical for caliper Match-up. Please Verify locations



Land Cruiser Disk Brake Conversion

This is drawn to Full scale.
Please verify dimensions
on all holes prior to drilling.



Land Cruiser

Disk Brake Conversion

